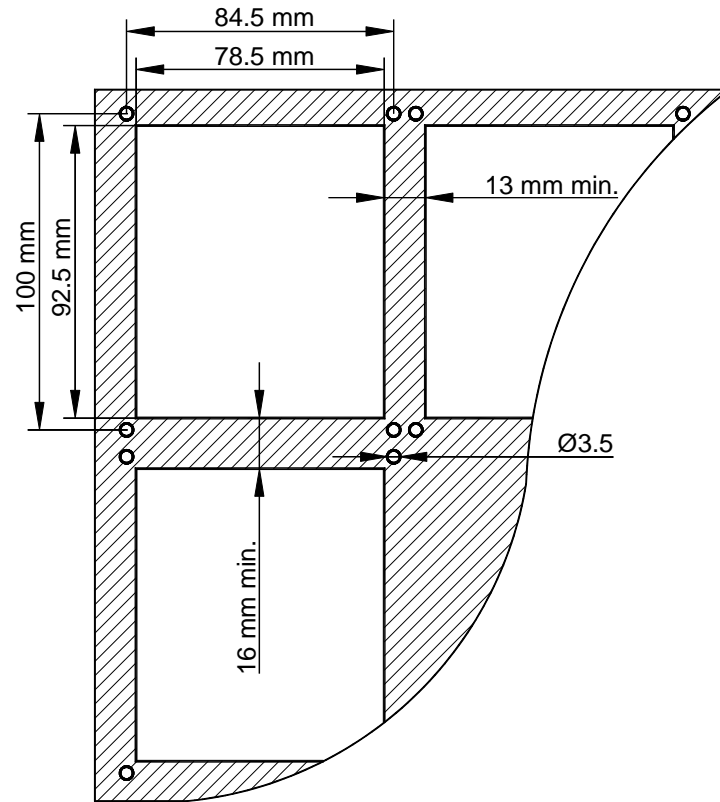
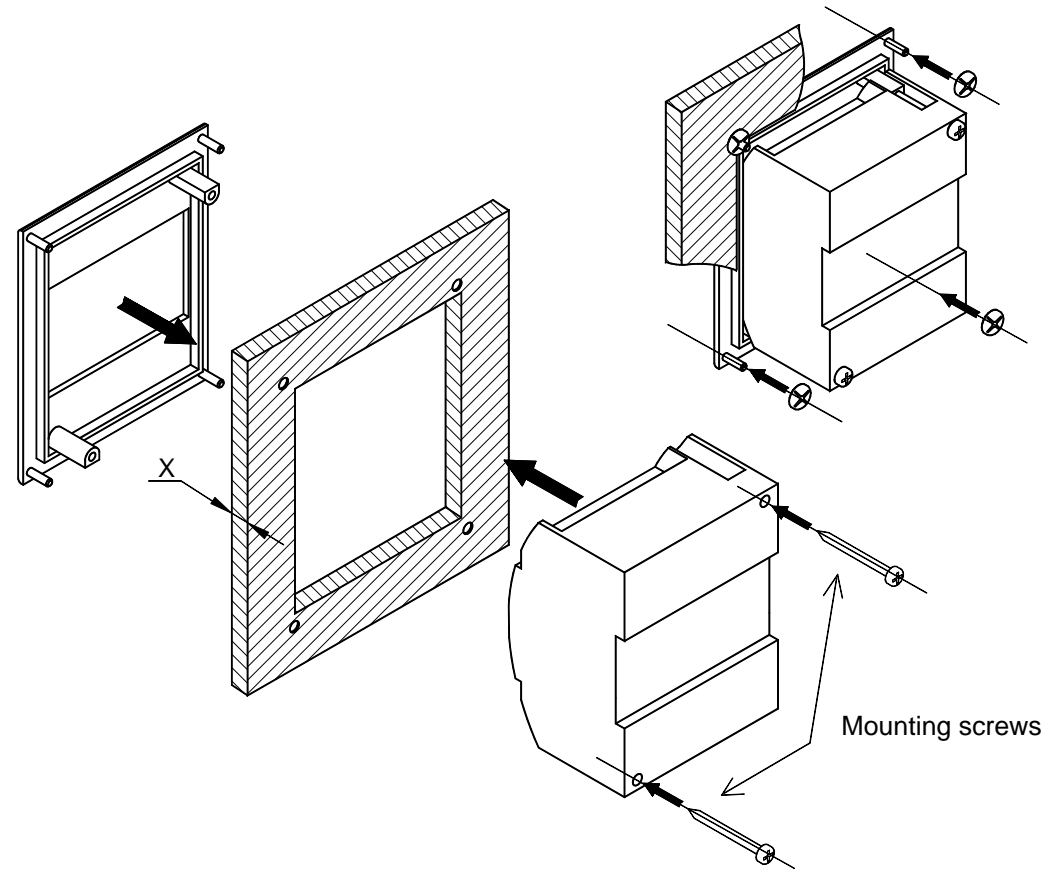


Panel Cutout and Spacing



Mounting



- Panel thickness : $1 \leq X \leq 5$ mm
- Type of protection : IP 40
- Material : autoextinguible
- Weight : 30 g (0.1 oz)