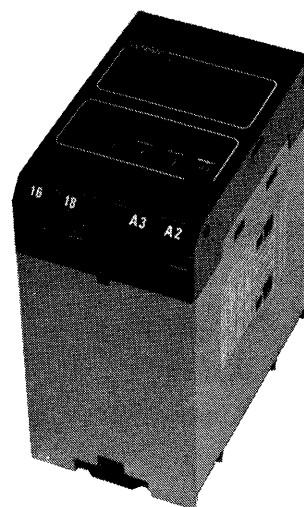


# FMR SERIES

## Analog Control Relay



- Hysteresis Adjustable
- Relay LED Indicator
- Switch Selectable
- Adjustable Threshold
- SPDT 10A Relay
- Low Current (4mA) Alarm

0.1 to 20ma Current Control 0.1 to 10V Voltage Control

### MODE OF OPERATION

#### Control Without Latching

The output relay is energized when the direct current or voltage overshoots the level selected on the top mounted thumb-wheel switches. It de-energizes when the current or voltage falls below the set point by 5 to 50% or when the input power supply is interrupted. The hysteresis can be adjusted by a top mounted potentiometer. Threshold values are unaffected by changes in the hysteresis. The second alarm output (R2) is energized when the current is lower than 4 MA.

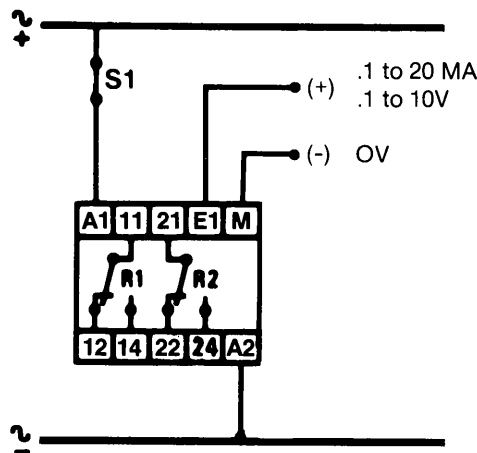
#### Control With Latching

The output relay (R1) is energized when the current or voltage reaches the selected value and remains latched. Interrupt the power supply to reset. The second alarm output (R2) is energized when the current is lower than 4 MA.

### SPECIFICATIONS

Input Power	.24, 48, 110, 220, 240VAC, +15%. 50/60 Hz	
Max. Power Consumption	.3VA	
Output	SPDT Relay	
Contact Material	Ag Cdo	
Maximum Loading	.10A AC resistive	1A DC inductive
Maximum Switching Voltage	.250VAC	30VDC
Maximum Power Rating	.2200VA	30W
Mechanical Life of Relay	.20 × 10 <sup>6</sup> operations	
Electrical Life of Relay	.2 × 10 <sup>6</sup> at 2200VA resistive load	
Operating Temp	+32 °F to +122 °F	0 °C to +50 °C
Weight	.7 oz. (200 grams)	
	<b>DC Current</b>	<b>DC Voltage</b>
Range	00.1 to 30.9ma	00.1 to 30.9V
Precision Set	.1ma	.1V
Permanent Overload	40ma	60V
Temporary Overload (<1sec)	100ma	100V
Repeat Accuracy		
At Constant Ambient	± 1%	± 1%
Temp Variation to VDE 0435	± 3%	± 3%
Input Resistance	120Ω	40KΩ

### WIRING DIAGRAM



**Note:** Latching or Non Latching is selectable by a switch located on the back of the unit.

### ORDERING INFORMATION:

