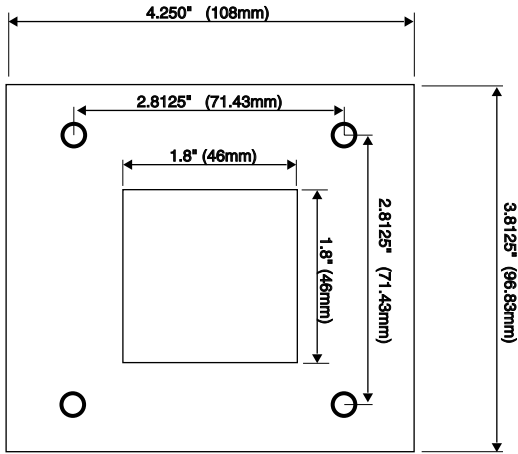


**Accessories For M/G Series
(48 x 48mm Timers)**

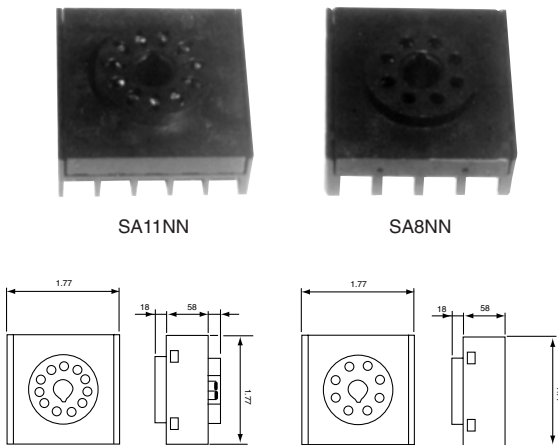
1032 - Retrofit Panel Plate



The 1032 panel plate has been designed for use with the M/G/F AXR2, MGF 813 & 11614 Series.
It will retrofit:
ATC 366, 353, 336, 335, 334, 333 & 310 Series
Eagle CX 300, CT 540, CT 51, CT 530, CD300
HP 5, HP 4, BR 4, CE 500 & H2170



SA8 & SA11 - Back connecting Socket



831 - Hard Protective Cover (NEMA 4)



Products and specifications subject to change without notice.
Consult factory for application assistance.