

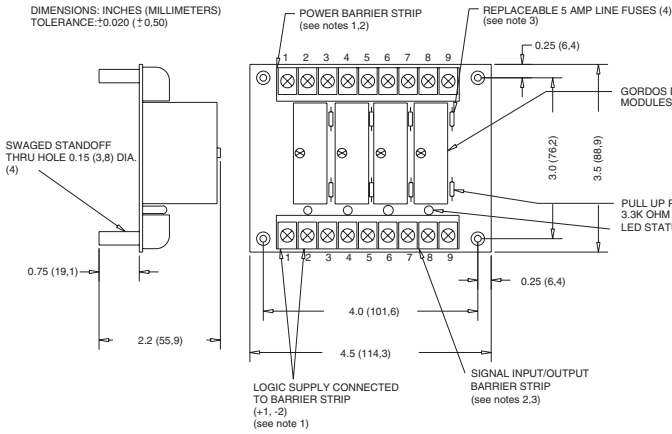
DIGITAL I/O MODULE MOUNTING BOARDS

FEATURES:

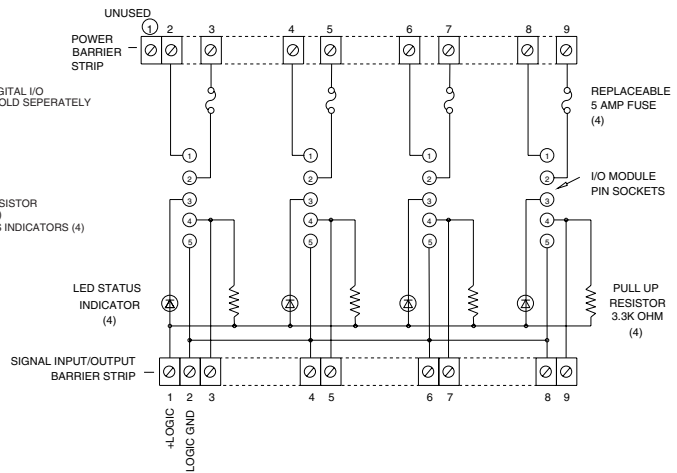
- Plug-compatible logic connections on 8, 16, 24 and 32 position boards. Screw terminal barrier block for logic connections on 4-position boards.
- Screw terminal barrier block for load connections
- Resident pull-up resistors
- 5 amp field-replaceable fuses (LITTLEFUZE #251005 or equivalent)
- LEDs indicate logic status
- All even-numbered logic connections are logic ground
- Input and output modules accepted interchangeably
- Operate with 5, 15 or 24 volt logic supplies
- Captive-screw retaining system for standard-size modules and "Quad-Packs." Pin retaining system for "SM" series miniature modules. Optional hold down bar for "M" and "SM" series miniature modules.
- PB4, PB4R, PB8, PB16, PB16S, PB16T, PB24, PB24Q and PB32Q UL recognized and approved for field wiring (E79183) and CSA certified (38595). Additional approvals pending. Consult factory for updated list.

FOR 0.6 INCH MODULES (Compatible with "SM" Series Modules)

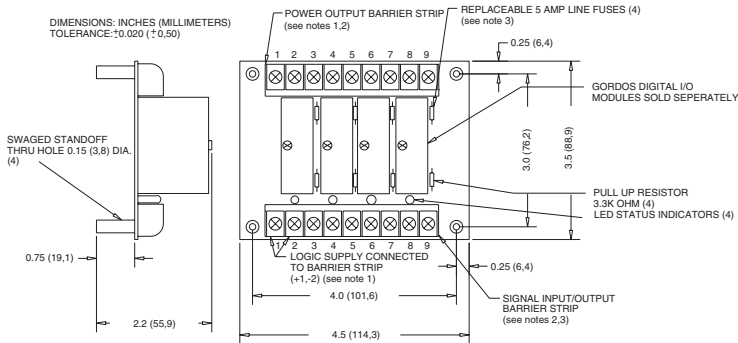
PB4



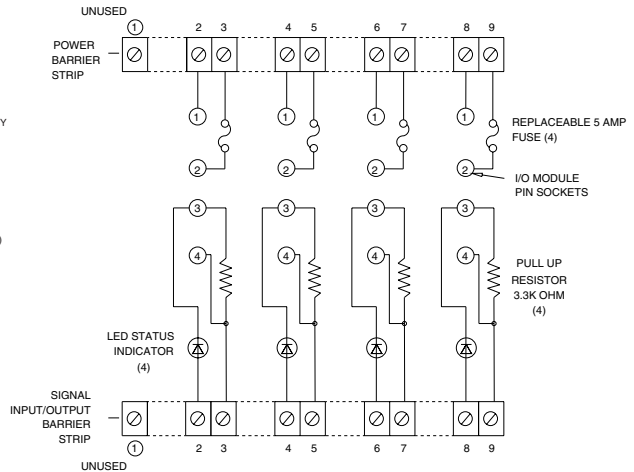
- NOTES: 1) 6-32 SCREW TERMINAL BARRIER STRIPS ACCEPT WIRE SIZES FROM 24 TO 12 AWG.
2) OPTIONAL JUMPERS AVAILABLE TO INTERCONNECT BARRIER STRIP COMMONS. ORDER 1 EACH "JSS" AND CUT IN HALF.
3) LITTLE FUZE 251005 OR EQUIVALENT.



PB4R



- NOTES: 1) 6-32 SCREW TERMINAL BARRIER STRIPS ACCEPT WIRE SIZES FROM 24 TO 12 AWG.
2) OPTIONAL JUMPERS AVAILABLE TO INTERCONNECT BARRIER STRIP COMMONS. ORDER 1 EACH "JSS" AND CUT IN HALF.
3) LITTLE FUZE 251005 OR EQUIVALENT.
4) PB4R ACCEPTS ONLY OUTPUT MODULES. INPUT MODULES WILL NOT PLUG INTO PB4R.



Products and specifications subject to change without notice.
Consult factory for application assistance.